



TrailerVac SDT-20T

The TrailerVac SDT-20T suction units are equipped with built-in hydraulic tipping system and are towed/connected to i.e. a tractor

The TrailerVac SDT-20T suction units meets the industry's high demands on efficiency, reliability, ease of operation and maintenance giving excellent value for money.

The TrailerVac SDT-20T units are a series of mobile, diesel powered vacuum loaders fitted onto trailer chassis. Dry material as well as liquids can be handled. Together with a fixed pipe network they can not only operate as a perfect central vacuum unit for industrial installations but also as a single vacuum loader with an up to 6" hose.

- Rigid design for industrial use
- Roots-type high vacuum pump (80%)
- Filter system for dry and wet material
- Automatic filter cleaning without compressed air
- Donkey engine
- Engine power 130 or 160 kW.
- Large dustbins with tailgate for easy discharge

WHY TrailerVac SDT-20T

Most heavy industry sites have production, raw material handling, packing etc. in several buildings/domestic areas with some distance between the premises. Therefore an ordinary stationary central vacuum cleaning system is not the optimum solution. Instead the TrailerVac SDT-20T is the perfect choice. The large collecting hopper placed on a trailer for towing by a tractor or similar makes the whole unit easy to transport. The unit can start operating as soon a hose/pipe is connected. Also the dust handling is easily carried out as there is a built-in tipping cylinder for the discharge.

The rigid trailer can carry high load and together with high suction capacity using Roots pump the unit is especially suited for heavy industrial environments.

OPERATION

The vacuumed material is first separated in a specially designed fall chamber with a wear proof pre-separator inlet. In this section the heavier particles fall to the bottom of the container. From this section the air is then diverted to the

main filter section where residual fine dust is separated. From the filter section the air passes a safety filter before entering the vacuum pump and finally a silencer before exhaust.

The well insulated motor compartment housing ensures a low noise level of the unit.

An unloading valve is placed between the main filter system and the vacuum pump. The vacuum is immediately equalised when the valve opens. At the same time the main filters are being cleaned. This also prevents counter-rotation of the engine as well as less power consumption at starting. It can also be activated by safety control functions.

All functions are operated from the dust-tight control panel which contains control lamps indicating operational status of the unit.

APPLICATIONS

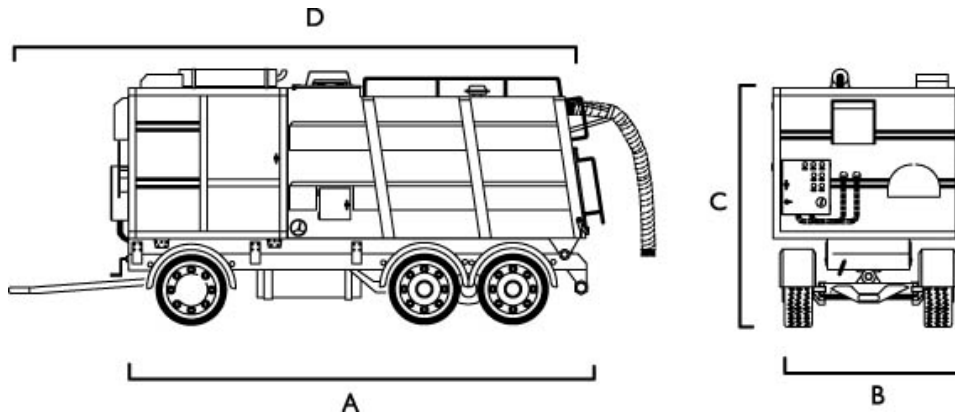
For any application where collection of dust is required, i.e. cleaning out deep pits, trenches, bucket elevators, conveyor spills, overhead cranes and runways, dust collectors, processing machines etc.

The unit is particularly suitable for collecting bulky or sticky material thanks to the convenient discharging.

USERS

Manufacturers of Cement, Lime, Gypsum, Tiles, Ceramics, Chemicals, Plastics, Fertilizers and Alumina.

Foundries, Steel mills, Quarries, Mines, Pulp- and Paper Industry, Incineration Plants, Thermo-electric Power Plants, Painting Contractors/Shipyards, Cleaning Contractors...



TrailerVac SDT-20T

VACUUM PUMP

Vacuum is generated by a pump of the Roots type, driven via V-belt transmission by a water-cooled diesel engine. Pump and engine are mounted on same steel structure, which also acts as the exhaust air silencer.

The vacuum pump is equipped with a spring-loaded safety valve, preventing the vacuum to exceed its maximum operating range. For extra protection of the pump, the unit comes with a high temperature sensor and a safety filter. For easy access and service, the unit is fitted with large doors on both sides.

FILTER SYSTEM

The main filter compartment contains a cassette filter with flat filter bags, of specially treated polyester needle felt. Service of filters is easy from the clean gas side and from outside of the unit.

The filter system is equipped with a vacuum-controlled ATM (air-repulse) filter cleaning system. When activated, a large air inlet will ensure a fast backwards air direction through the filters, efficiently knocking off collected dust from the filter surface.

DUST BIN

Type: Square container. Extra measures for water proof closing has been taken.
Volume: 10 m³ dust/material capacity
Bin level control of paddle type

Controls - Safety Functions

All functions are automatically operated from the control panel, and accessible from outside the unit. The unit is equipped with run time meter to give guidance for service and maintenance.

Engine Automatic Shut-down:

- Oil pressure too low
- Engine temperature too high

Automatic Vacuum Relief Valves Open:

- Exhaust air temperature from vacuum pump too high
- Alarm from bin-level control
- Alarm from DP-switch filters (option)

MISCELLANEOUS

Hose connect: Dia. 152 mm
Filter class: L,M IEC EN 60335-2-69
Max towing speed: 40 km/h
Electrical System: 24 V DC
Diesel Tank Volume: 330 l
Trailer: 21 tonne capacity
Tipping Cylinder: Hydraulically 19 t. capacity
Material: Steel S 235 JG2
Painting: System C2, RAL 3003 red

OPTIONS

BIN Painted inside
DP-Gauge: Safety Filter
DP-Switch; Safety Filter
Hydraulic Cylinder Locking Tailgate
Hydraulic Unit for Hydraulic Control
Inlet Hose and Connector
Ladder
Level Control; Paddle type (24V DC)
Radio Remote Control (CE, Carrier vave interrupter)
Roof Railing for Hose Transport
Stand-by Heater 230V

On request, the unit can also be mounted on a sub-frame for local assembly onto a specific truck chassis.

Item / Model	SDT-20T.130	SDT-20T.160
Dimensions, mm A	6570	6570
B	2455	2455
C	3300	3300
D	7800	7800
Weight, kg (approx.)	10500	11000
Max. Vacuum, mbar	800	800
Air volume, m ³ /h (unloaded)	4600	6650
Engine Power, kW	129	168
Engine Emissions 97/68/EC (step3A)	Yes	Yes
Main Filter Surface, m ²	24	24
Safety Filter Surface, m ²	27	36
Noise level dB(A) (at 5 m distance)	84	85
Lay-out	F-21115 E	

We reserve the right to alter any specifications without prior notice

Manufacturer:

DISAB-TELLA AB
Cedersdalsvägen 1
SE-186 40 Vallentuna
Sweden

Tel: +46 (0) 8 514 505 70
Fax: +46 (0) 8 511 754 66
E-mail: industrial@disab.com
www.disab.com

Distributor: