



DISAB TrailerVAC™ SDT-10T

Usage

The DISAB TrailerVAC™ SDT-10T units are a series of mobile, diesel powered vacuum loaders that are fitted onto trailer chassis. Suitable for suctioning both dry and liquid materials for any industrial application. When connected to a fixed pipe system, these units can operate as a perfect central vacuum unit for industrial installations.

Typical users include manufacturers of cement, pulp- and paper industry, gypsum, tiles, chemicals, steel mills, cleaning contractors and more.

Characteristics

The DISAB TrailerVAC™ SDT-10T is a great choice for industrial settings where cleaning needs to be done in multiple locations/buildings. The large hopper placed on a trailer for towing by a tractor or similar makes the whole unit easy to transport. The unit can start operating as soon as a hose/pipe is connected. Also, the handling of the dust is easily carried out as there is a built-in tipping cylinder for the discharge.

The rigid trailer can carry high load and together with high suction capacity using Roots pump, the unit is especially suited for heavy industrial environments.

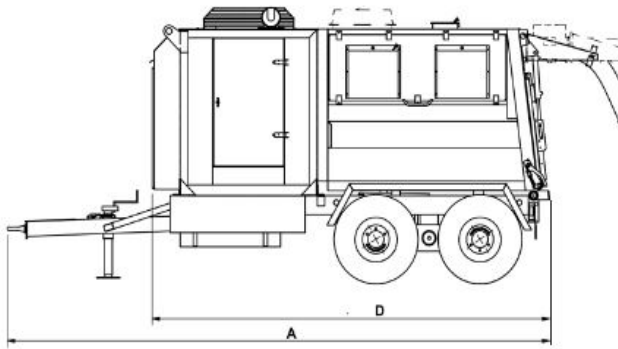
Benefits

A DISAB TrailerVAC™ SDT-10T unit is suitable for use in any heavy industrial application where collection of dust is required i.e. to clean out; deep pits, trenches, bucket elevators, conveyor spills, overhead cranes and runways, dust collectors, processing machines etc. The unit is specially suitable where bulky or sticky material shall be collected due to its convenient discharging.

Other benefits include:

- Roots-type high vacuum pump (50-80%)
- Filter system for dry and wet material
- Automatic filter cleaning without compressed air
- Donkey engine
- Engine power 45 to 55 kW
- Large dustbins with tailgate for easy discharge
- Very low noise level due to well insulated motor compartment housing
- The vacuum pump is equipped with a spring loaded safety valve regulating the vacuum not to exceed its maximum operating range.
- The filter system is equipped with a vacuum controlled ATM (air-repulse) filter cleaning system.

A DISAB TrailerVAC™ SDT-10T meets the high demands from the industry due to its efficiency, reliability, ease of operation and maintenance giving excellent value for money.



Technical Data Chart for DISAB TrailerVAC™ SDT-10T

Weight and Dimensions	SDT-10T.45	SDT-10T.55	SDT-10T.55 80%
A (mm)	5,640		
B (mm)	2,100		
C (mm)	2,700		
D (mm)	4,000		
Weight, kg (approx)	4,800	5,300	5,450

Description

	Three-Lobe Roots Pump		
Vacuum pump	Three-Lobe Roots Pump		
Max vacuum, mbar	500	500	800
Air volume m ³ /h (unloaded)	2,650	3,200	2,100
Engine Power, kW	45	55	55
Tank volume (m ³)* *Excluding filter volume	3.5		
Total Tank Volume (m ³)	5,5		
Tank tipping system	Hydraulic cylinder, single acting system. Hydraulically operated and locked tailgate as add-on.		
Main filter system (m ²)	18		
Safety filter surface (m ²)	12	12	12
Noise Level dB(A) (at 1m/5 m distance)	75	77	77
ATEX approved	On request		

Miscellaneous

Trailer	10 tonnes capacity
Filter Class	L, M IEC EN 60335-2-69
Hose connect	Dia 152 mm or smaller
Material	Steel S 235 JG2
Painting	Exterior System C2, RAL 3003 red
Max Towing Speed	40 km/h

DPRO-SDT10--ENG-1119