



DISAB SkipVAC™

Usage

DISAB SkipVAC™ is a powerful and compact suction unit, designed to vacuum material and dust in industrial environments where the demands for efficient and reliable equipment are high. The unit is equipped with its own skip, which is handled by a fork lift and powered by electric supply.

The DISAB SkipVAC™ is incredibly versatile and can be used across a wide range of industries and settings including manufacturers of cement, lime, gypsum, tiles, concrete, chemicals, steel mills, bakeries etc.

Characteristics

Its small footprint and quiet operating levels means it's favorable by a wide range of industries that also appreciate its flexibility, ease of use and robustness. The combined power pack and filter assembly is mounted on top of a self-tipping skip, so the unit can easily be lifted and transported to wherever collected debris needs to be disposed, or cleaning needs to be carried out. The unit is fully enclosed so dust is safely contained and it comes with flexible hoses and specially designed attachments that enables complete access to hard to reach areas.

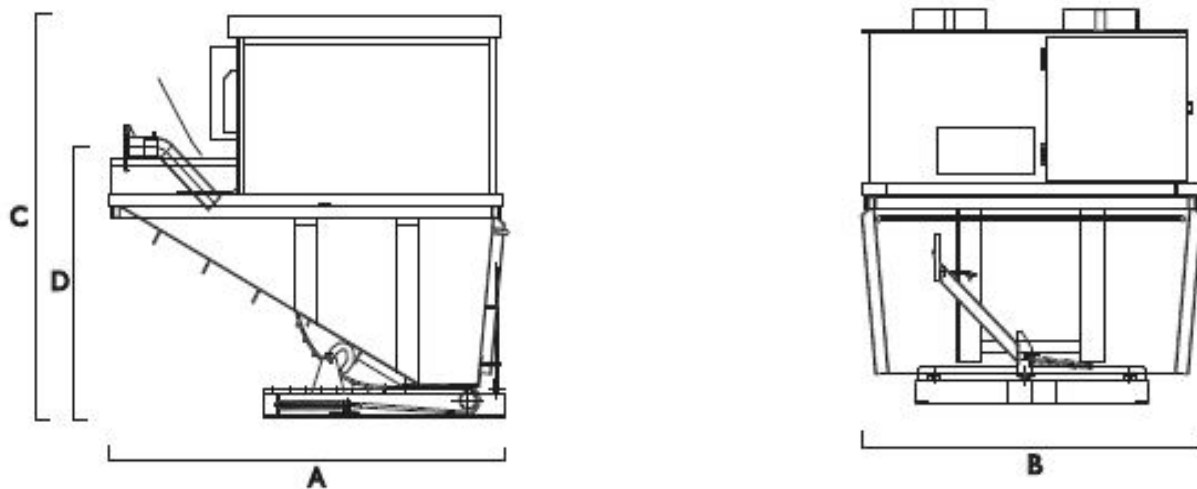
Benefits

The high suction capacity together with the large collecting capacity makes DISAB SkipVAC™ very useful in most cleaning situations.

Other benefits include:

- Fitted with forklift sleeves for an easy transportation
- Removes anything from microscopic dust up to 40 mm debris
- Operated via a standard 32 amp 3 phase power supply
- Waste collected into integral skip for easy disposal or recycling
- Self-tipping bin for easy discharge
- Suction distances up to 100 meters
- Suction capacities up to 4 tons per hour
- Exceptional filtration levels, including optional HEPA filters
- Easy to operate
- Quiet in operation
- Can be used for powering fixed pipework vacuum systems around multi-level sites
- No dust valves or other moving parts involved, securing high availability factor and low maintenance costs.

DISAB SkipVAC™ suction unit meets the high demands from the industry due to its efficiency, reliability, ease of operation and maintenance giving excellent value for money.



Technical Data Chart for DISAB SkipVAC™

Weight and Dimensions

A (mm)	1,750
B (mm)	1,390
C (mm)	1,680
D (mm)	1,100
Weight, kg (approx)	910

Description

Vacuum pump	Side channel blower (turbo)
Max vacuum, mbar	290
Air volume m ³ /h (unloaded)	1,100
Electrical Motor, kW	12.5
Fuse A	32
Tank volume (m ³)* *Excluding filter volume	1
Total Tank Volume (m ³)	1.5
Filter surface (m ²)	5
Noise Level dB(A) (at 1m/5 m distance)	75/70
Discharge	Self tipping bin

Miscellaneous

Filter Class	L, M IEC EN 60335-2-69
Hose connect (diameter, mm)	108
Material	Steel S 235 JG2
Painting	Class C2, color RAL 3003 red